



REMOTE KEYLESS ENTRY SYSTEMS

INSTALLATION & OPERATING INSTRUCTIONS

CS-845RKE / CS-855RKE

INTRODUCTION

CONGRATULATIONS on your choice of a Remote Keyless Entry System by Crimestopper Security Products Inc. This booklet contains the information necessary for installing, and using your system. If any questions arise, contact your installation dealer or Crimestopper Security Products Inc. at the Tech Support number below.

***IMPORTANT INFORMATION: Primary and Optional Features**

-PRIMARY: These are features that must be connected in order for the system to operate properly i.e. Power, Ground, Lights, Power Locks, etc.

-OPTIONAL: Optional features are connected only if desired or agreed upon by the installing dealer i.e. Horn Honk, Dome light illumination, Starter Kill, L.E.D., Trunk Pop, etc. These features may require additional parts and labor charges. Consult with your installer about these features **before** installation.

TECH SUPPORT
Mon-Fri 8:00 AM-4:30 PM Pacific Time
(800) 998-6880

www.crimestopper.com
email@crimestopper.com

This device complies with FCC Rules part 15. Operation is subject to the following two conditions: 1) This device may not cause interference, and (2) this device must accept any interference that may be received, including interference that may cause undesired operation. The manufacturer is not responsible for any radio or TV interference caused by unauthorized modification to this equipment. Such modification could void the user's authority to operate the equipment.

INSTALLATION CAUTIONS & WARNINGS

BEFORE BEGINNING, check all vehicle manufacturer cautions and warnings regarding electrical service (AIR BAGS, ABS BRAKES, AND BATTERY).

DO NOT ROUTE ANY WIRING THAT MAY BECOME ENTANGLED with brake, and gas pedals, steering column, or any other moving parts in the vehicle.

REMOVE MAIN SYSTEM FUSE(S) before jump starting the vehicle or charging the battery at high boost. **DAMAGE MAY OCCUR TO SYSTEM IF PROPER PRECAUTIONS ARE NOT OBSERVED.**

COMPONENT MOUNTING

CONTROL MODULE: Locate the module underdash as high as possible. **Driver's Side usually** provides an easy location for the majority of the wiring connections. Keep the module away from moving parts such as brake/gas/clutch pedals, or the steering column. The Placement of the module will affect the distance from which the remote transmitter can control the unit. The antenna wire should be routed away from any metal if possible. **DO NOT** alter the length of the antenna wire, route it with other wires, or ground the antenna wire.

OVERRIDE / PROGRAM BUTTON: Mount the button in a hidden but accessible location. It is used for emergency-disarm (when optional starter disable is installed) without the use of the transmitter and for programming certain features.

LED: The red **LED provides a useful theft deterrent and serves as the indicator when changing programming options.** Choose a visible location in the dash where running the wire down through the dash will not create any problems. Always check behind surfaces before drilling any holes!

WIRING

YELLOW WIRE: IGNITION SWITCHED "ON" AND "START" +12 VOLTS

Connect to an ignition wire (or fuse in the fuse box) that shows +12 Volts when the key in both "On" and "Start" positions.

VIOLET WIRE: (-) PASSENGER(S) DOOR UNLOCK OUTPUT (Optional, requires relay)

Connects to unlock circuit for passenger door(s) when using separate driver's door unlock option. See DOOR LOCK WIRING for configuration options.

BLUE WIRE: (-) HORN HONK/CHIRP OUTPUT (Optional, requires relay)

Connects to terminal 85 of a relay. Connect terminal 86 to +12V Constant. Connect terminal 87 to +12V or GROUND depending on the type of horn activation circuit in the vehicle. Connect terminal 30 to the horn activation circuit.

WIRING

GRAY WIRE: (-) AUXILIARY REMOTE OUTPUT 1 (Optional, requires relay)

Connect to terminal 85 of relay. Connect terminal 86 to constant. Connect terminal 87 to +12V or Ground depending on the type of circuit that needs to be activated. Connect terminal 30 to the device/circuit to be activated. Controlled by pressing and holding Button (3) Trunk Pop for more than 1 second.

GREEN WIRE: (-) AUXILIARY REMOTE OUTPUT 2 (Optional, requires relay)

This wire connects the same way as Remote Output 1 see GRAY WIRE above. Controlled by Pressing and Holding Button (1) Lock for more than 1 second.

ORANGE WIRE: NEGATIVE ARMED OUTPUT

This wire provides a GROUND output when system is locked with the remote transmitter. This output can be used for a starter disable relay or a device such as a window roll-up module. For a Starter Disable Circuit, a relay is required. (Not included) Cut starter wire and connect to terminals 87A and 30 on relay. Connect orange wire to 85 and connect 86 to an IGNITION source that has voltage in the ON and CRANKING position. See Wiring Diagram.

BLACK WIRE: SYSTEM CHASSIS GROUND

THIS WIRE MUST BE CONNECTED TO CHASSIS METAL OF THE VEHICLE. Scrape away any paint or dirt from the connection point to ensure a good connection. Keep ground wire short and try not to use factory ground locations.

BROWN WIRE 845RKE: (-) DOME LIGHT ILLUMINATION OUTPUT (Optional, may require external relay): Connects to Dome light activation circuit for Negative dome light systems or to terminal 85 of an external relay for Positive circuits.

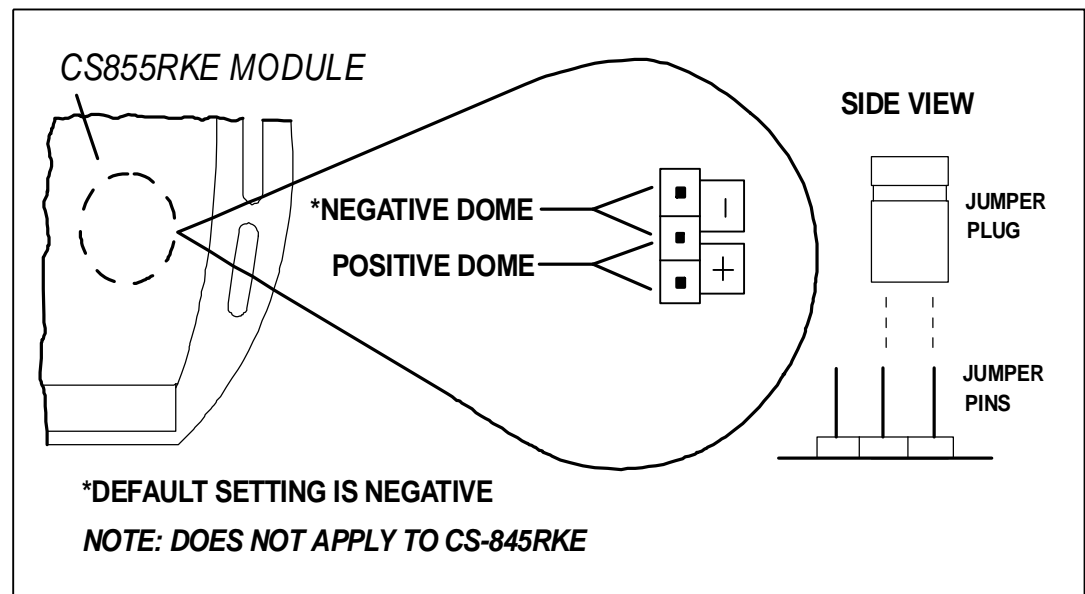
BROWN WIRE 855RKE: (+ or -) DOME LIGHT OUTPUT (On-Board Relay): Connect to dome light activation circuit for Negative type circuits. For Positive type circuits, open the control module and switch jumper the plug as shown in illustration >>>.

RED WIRE: +12V POWER INPUT (15 amp fuse)

Connect to +12 Volt source with supplied fuse & holder. Recommended location for this connection is at the vehicle battery positive terminal.

WHITE WIRE: +12V FLASHING PARKING LIGHT OUTPUT

Connect to switched parking light wire at back of light switch. If this is not possible, connect directly to one of the parking lights at the front of the vehicle. European vehicles require separate right and left circuits. Use a dual relay or 2 diodes to separate the output signal.



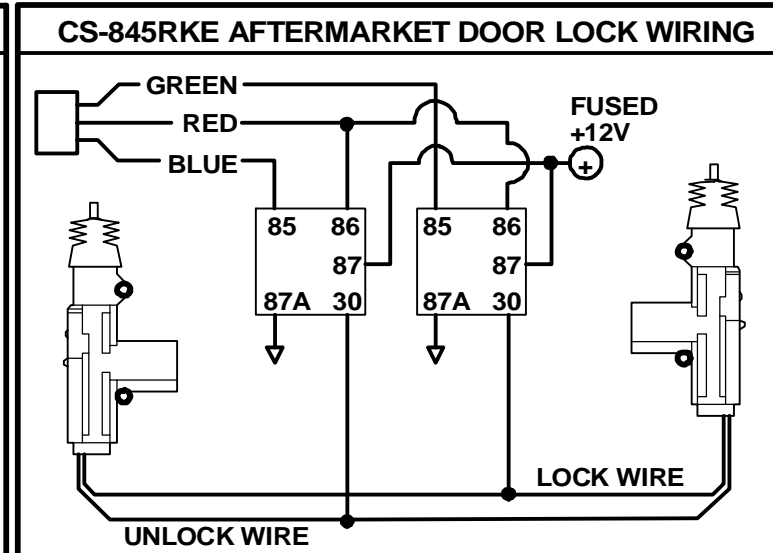
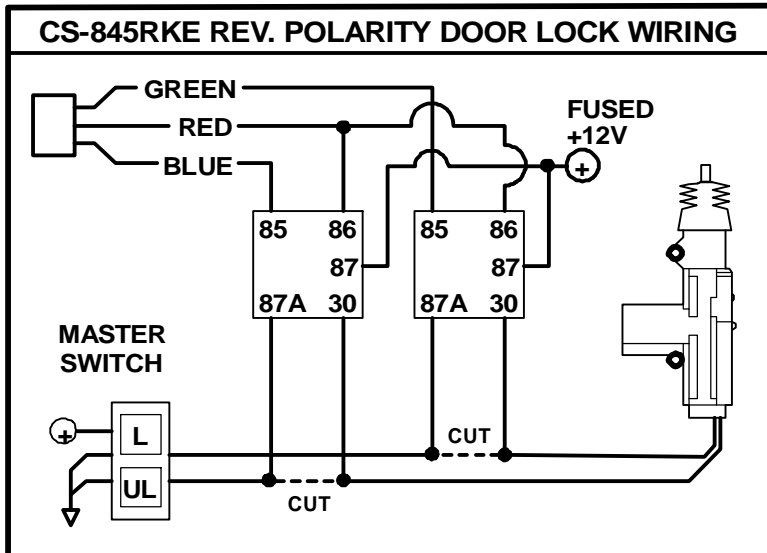
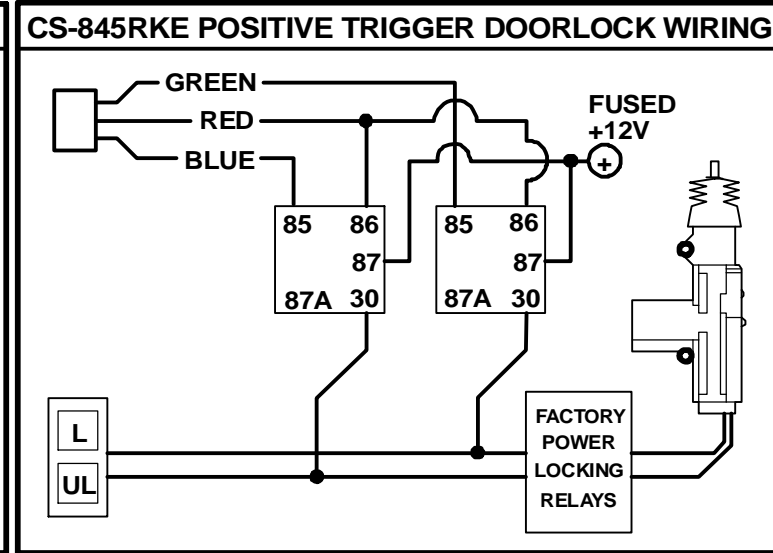
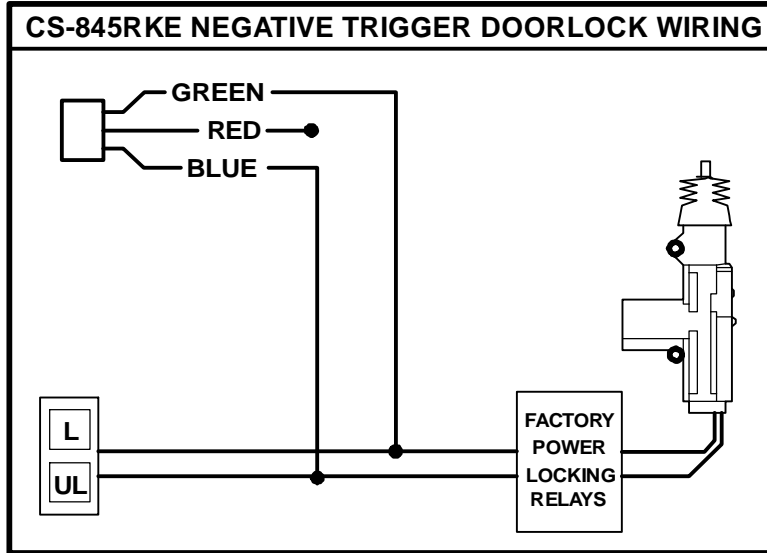
CS-845 RKE POWER DOOR LOCK WIRING

3 PIN (WHITE): DOOR LOCK OUTPUT PLUG

GREEN: (-) Negative LOCK pulse

RED: +12V Coil Power for external relays (Term. 86).

BLUE: (-) Negative UNLOCK pulse



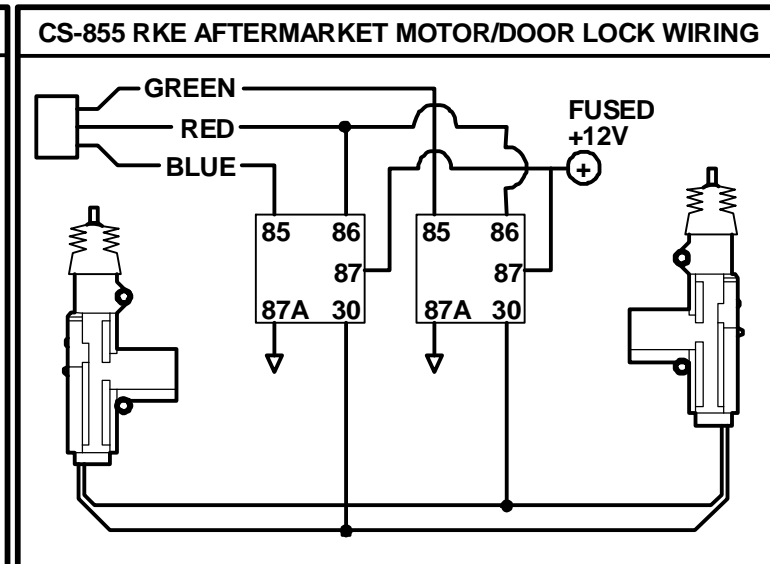
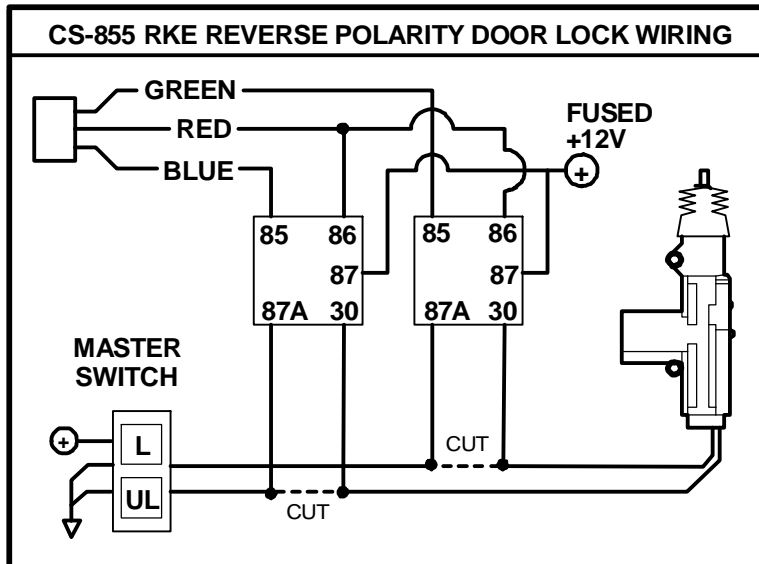
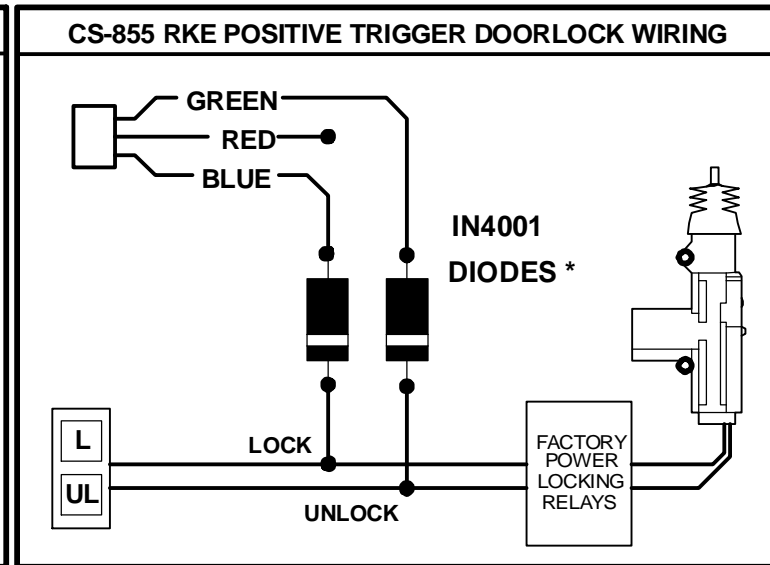
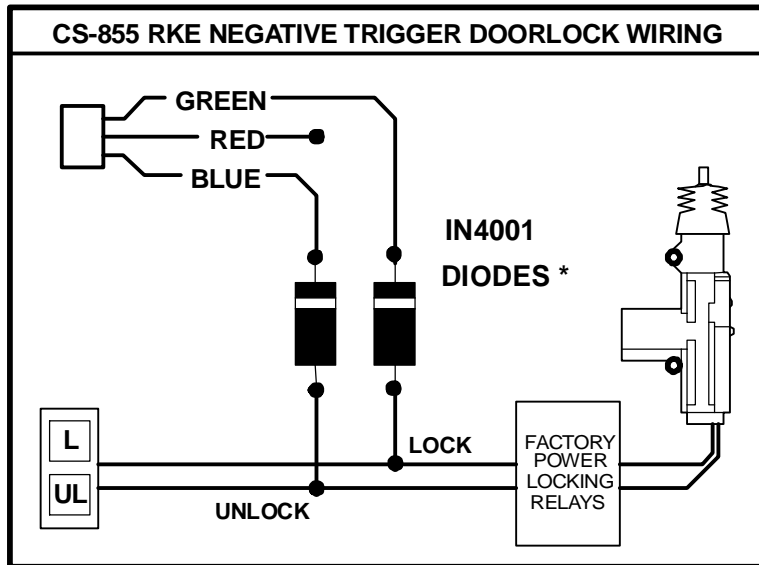
CS-855 RKE POWER DOOR LOCK WIRING

3 PIN (WHITE): DOOR LOCK OUTPUT PLUG

GREEN: (-) Negative LOCK pulse / (+) Positive UNLOCK pulse

RED: +12V Coil Power for external relays (Term. 86).

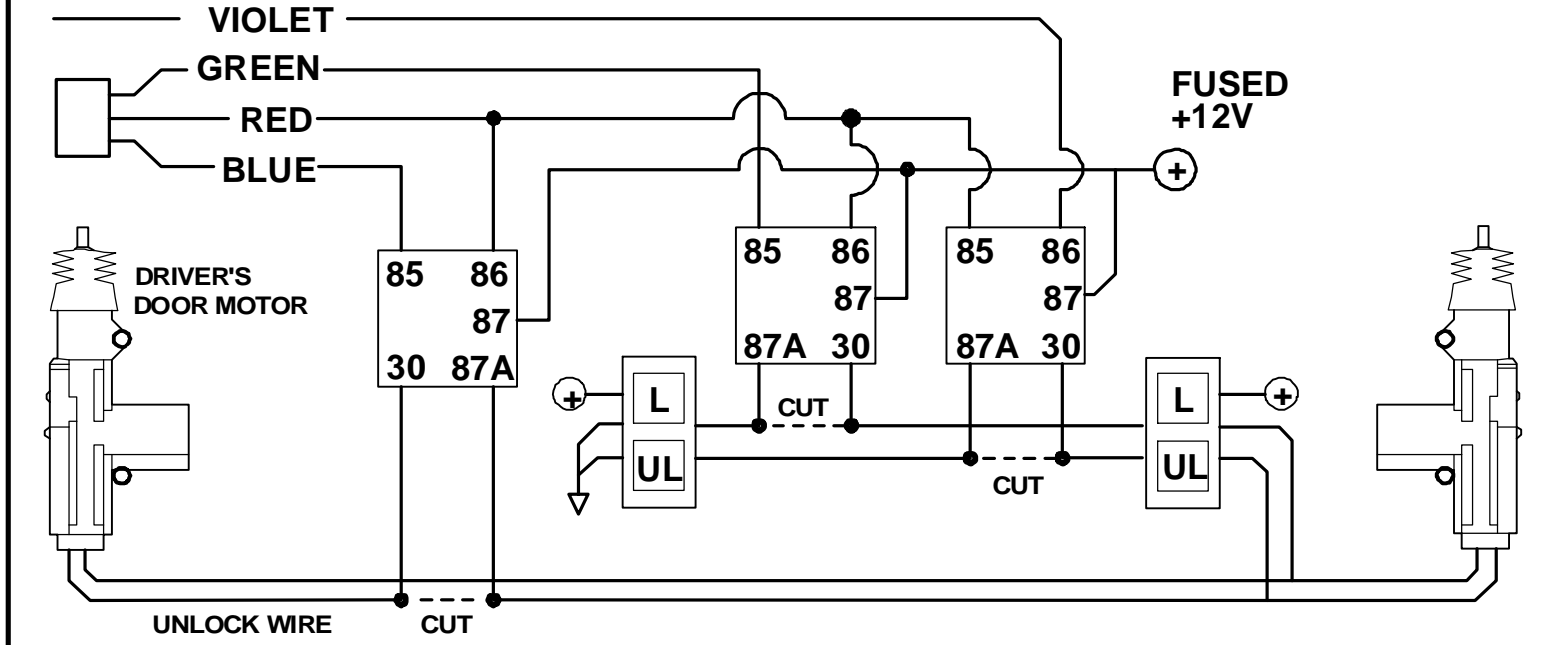
BLUE: (-) Negative UNLOCK pulse / (+) Positive LOCK pulse



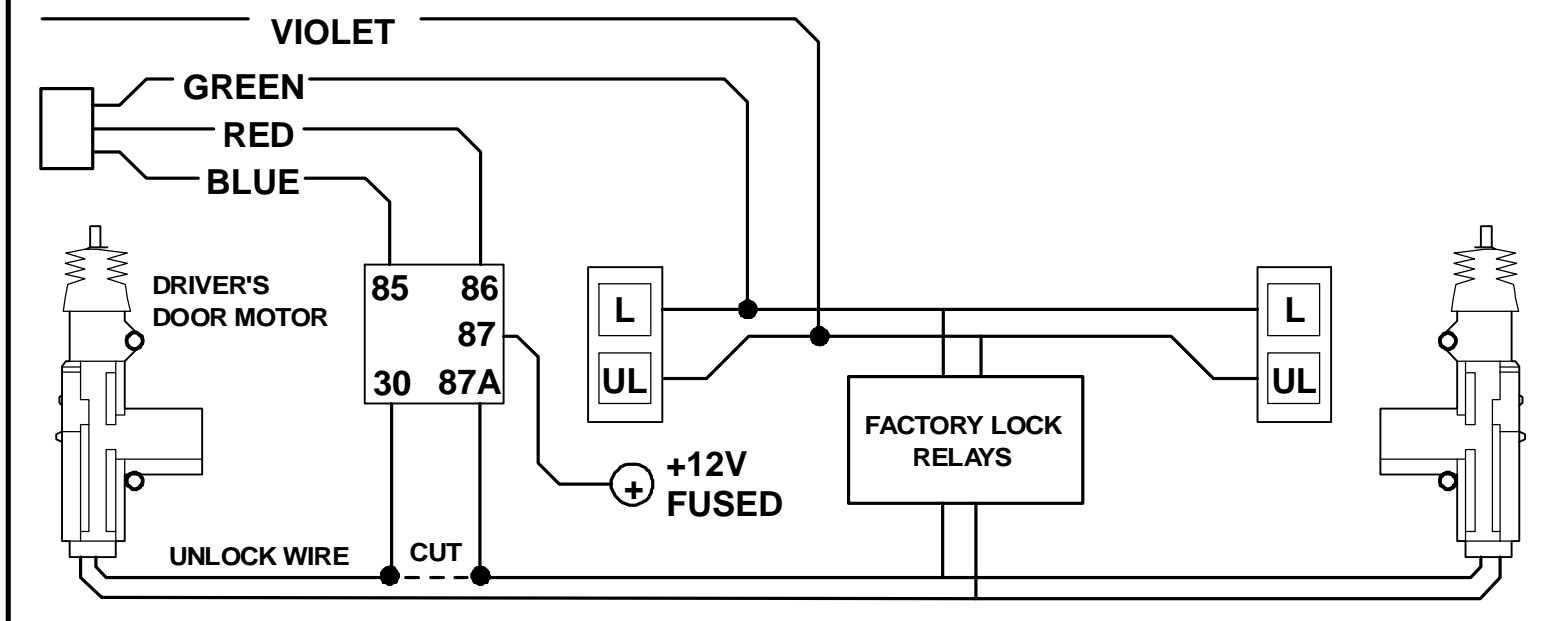
*Diodes are recommended to prevent shorting door lock outputs.

CS-845/855 SEPARATE DRIVER'S DOOR UNLOCK DIAGRAMS

REVERSE POLARITY DOOR LOCKS



NEGATIVE TRIGGER DOOR LOCKS



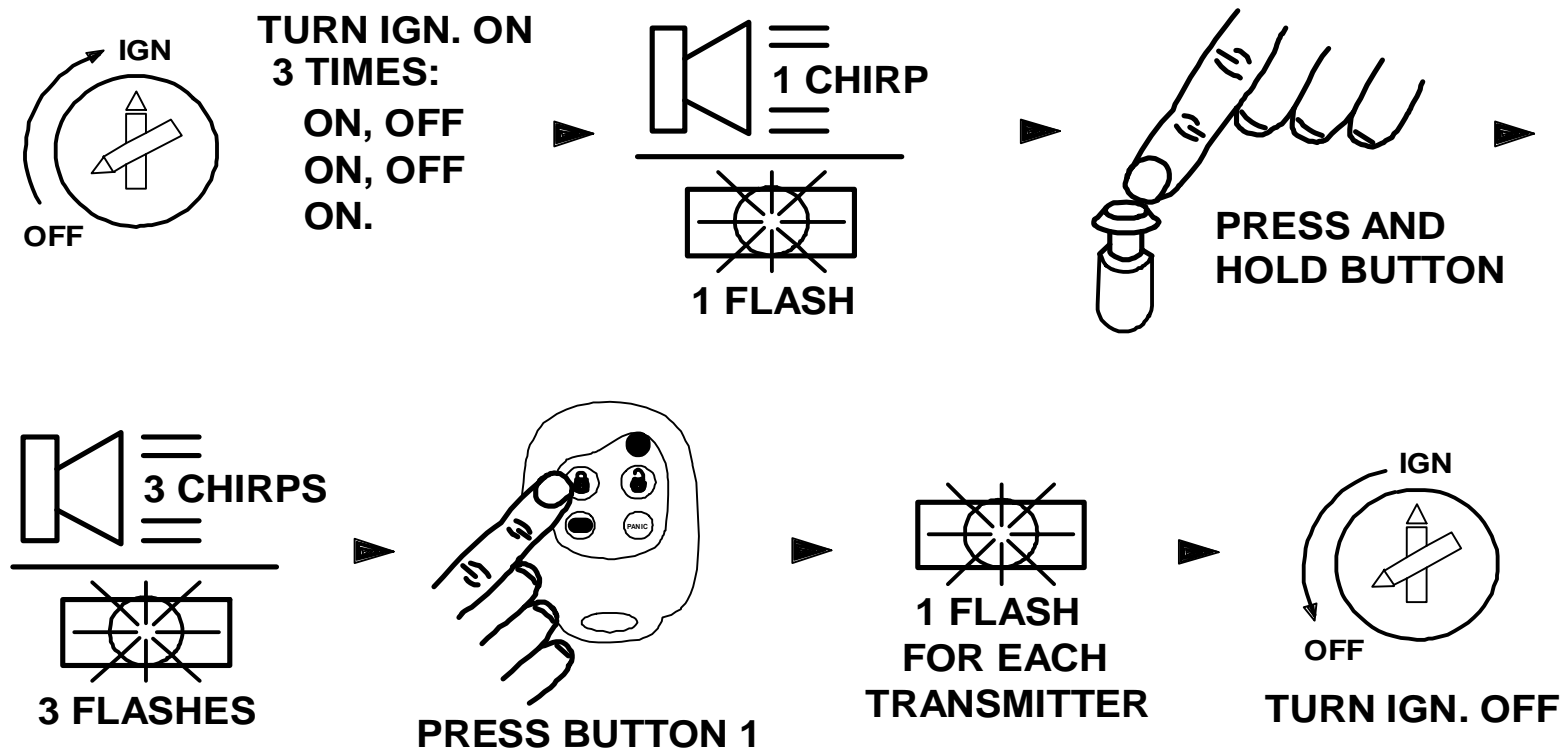
TRANSMITTER PROGRAMMING

1. Turn Ignition ON and OFF 3 times quickly, leaving it ON the 3rd time. (ON/OFF, ON/OFF, ON) Lights should flash once and one horn chirp.
2. Push the Program/Override Button for 5 seconds until you hear 3 horn chirps and lights flash 3 times. Release the Button.
3. Press the #1 (LOCK) on new transmitter – lights will flash for code learn confirmation. Repeat step 3 for up to 2 additional transmitters. The system will learn a total of 3 transmitter codes.
4. Turn off Ignition.

Note 1: All transmitters must be learned at the time of programming.

Note 2: If only 1 transmitter is being programmed to the system, continue pressing Button #1 until the unit exits program mode by unlocking the door and flashing the lights 2 times.

DIAGRAM:



OPTION PROGRAMMING

To change programmable options:

1. Turn the Ignition ON, wait one second, and press the Override/Program button 5 times.
2. The system should flash the parking lights 8 times in quick succession.
3. Within the next few seconds, press the Override/Program button [again] the number of times that corresponds to the options chart below. Parking lights and/or optional LED should flash for each button press. Don't lose count!
4. When you get to the desired option number, press the appropriate button on the remote according to the chart below. Turn Ignition off. (See Below for Option numbers, descriptions, and values.)
5. Change one option at a time repeating these same steps. When you are finished customizing options, check operation to see if the option(s) have changed.

PROGRAMMING OPTIONS CHART

* = DEFAULT SETTING

Option #	Option Description	Selection	Lock Button	Unlock Button
1.	Auto Lock & Unlock with Ignition	ON or OFF	ON*	OFF
2.	Double Unlock Pulse	ON or OFF	OFF*	ON
3.	Horn Chirp	ON or OFF	ON*	OFF
4.	Lock/Unlock Pulse Time	0.8 Sec. or 3 Sec.	0.8 Sec.*	3 Sec.
5.	Passive Starter Disable	ON or OFF	OFF*	ON
6.	Ignition Trigger	ON or OFF	OFF*	ON

1. AUTOLOCK / UNLOCK WITH IGNITION

Controls whether the doors will automatically lock when the ignition is turned on and will unlock when the ignition is turned off. **Note: When Separate Driver's Door Unlock feature is installed, only driver's door will unlock when IGN. is turned off.**

2. DOUBLE UNLOCK PULSE

The unit will send 2 unlock pulses when the #2 Unlock button is pressed. This feature may be required for interfacing this system into specific Nissan, VW, Toyota, and Lexus vehicles that require 2 unlock pulses to unlock the vehicle.

3. HORN CHIRP CONFIRMATION

This option turns the horn chirps for lock/unlock on or off.

4. DOOR LOCK/UNLOCK PULSE TIME

Controls the amount of time (0.8 sec. or 3 sec.) for the lock/unlock pulse. The 3 sec. setting may be required for 1980'/90's European Vehicles that require a long pulse to operate electric vacuum type door lock systems.

5. PASSIVE STARTER DISABLE OUTPUT (Applies to OPTIONAL starter disable feature)

This option modifies the unit's (-) Negative Armed Starter Disable output operation. When this option is turned ON, the unit will PASSIVELY activate the Starter Disable 45 seconds after the ignition is turned off. Starter disable output is deactivated through the remote when unlocking the vehicle or a manual override.

OPTION PROGRAMMING cont.

6. IGNITION TRIGGER

This option controls the unit's optional Ignition trigger feature. If selected to ON, then the vehicle's horn will honk if an unauthorized operator turns on the Ignition after the vehicle had been locked with the remote. This function is similar to an alarm system. To avoid a trigger, use the remote for BOTH LOCKING and UNLOCKING the vehicle. If system accidentally triggers, press button #4 to reset.

OPTION RESET PROCEDURE:

Programmable Options can be instantly restored to Factory Default Values (): To restore default values, perform step #1 on page 8, then just press button #3 (Trunk) on the remote. Parking lights should flash 4 times. Turn OFF Ignition. All programming options should be restored to * values (See chart page 8).*

OPERATION

REMOTE LOCK

To lock the doors, press the #1 (Lock Symbol) button on the transmitter. You will hear a single horn chirp (if horn chirp enabled), lights will flash once and LED will begin flashing. Optional: If starter disable is installed, it will become active.

REMOTE UNLOCK

To unlock the doors, press the #2 (Unlock Symbol) button on the transmitter. You will hear 2 horn chirps (if horn chirp enabled) and the lights will flash 2 times. Optional starter disable will turn off.

DRIVER'S DOOR UNLOCK (OPTIONAL)

Press the #2 Unlock button (Unlock Symbol) a second time to unlock remaining door or doors if this feature is installed on your particular vehicle.

REMOTE PANIC PROTECTION

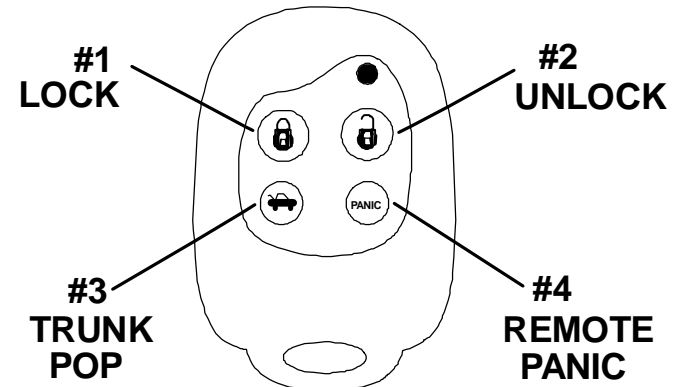
To sound the panic alarm in an emergency situation or to draw attention to your vehicle press and hold Button #4 (Panic) for at least 2 seconds. The horn will begin to pulse and parking lights will flash for up 45 seconds or until the Panic Button on the transmitter is pressed to reset this mode.

TRUNK / HATCH POP (REMOTE AUX. OUTPUT 1, OPTIONAL)

To pop the trunk (Optional), press Button #3 (Open Trunk Symbol) on the transmitter for at least 2 seconds.

2nd AUX. OUTPUT (REMOTE AUX. OUTPUT 2, OPTIONAL)

To activate the Second auxiliary output press and hold Button #1 (Lock) and hold for more than (1) second. This output can be used to control other optional add-on accessories such as a Remote Engine Start Module.



OPERATION

IGNITION TRIGGER (OPTIONAL)

This optional feature allows the unit to activate the panic mode if an unauthorized operator turns on the Ignition after the vehicle had been locked *using the remote*. This is similar to an alarm feature. To avoid an Ignition trigger, use the remote for BOTH LOCKING and UNLOCKING the vehicle. If system does trigger, press button #4 to reset.

EMERGENCY OVERRIDE/VALET MODE (WITH OPTIONAL STARTER DISABLE FEATURE)

If you have lost the transmitter or it stops working for any reason and the system was locked with the remote Emergency Disarm is needed to override the Starter Disable circuit. Open the door with the key, turn the ignition on and press the override/program button about 2 seconds you will get (1) short horn chirp and (1) light flash. This will also put the system into VALET mode. If Optional LED light is installed, it will turn ON and stay on solid.

VALET MODE

To get in and out of VALET mode, turn the ignition on and press the override/program button for about 2 seconds. When going into VALET you will get (1) horn chirp, (1) light flash, and LED will be on SOLID. When coming out of VALET mode you will get (2) Chirps, (2) Flashes, and LED will go out. Separate driver's unlock and Starter Disable features will not operate when in VALET mode.

AUTOLOCK/UNLOCK WITH IGNITION

The doors will automatically lock when the ignition is turned on and will unlock when the ignition is turned off. If this is not desired, See Programming Options to change this feature.

HORN CHIRP CONFIRMATION

This system can be programmed for short chirps of the Factory Car Horn along with the Flashing Parking lights for LOCK/UNLOCK confirmation. If this is not desired, See Programming Options to change this feature.

DOME LIGHT ILLUMINATION (OPTIONAL)

This feature turns on the vehicles dome light upon disarm for 30 seconds or until the key is inserted and turned on. This will provide illuminated entry to your vehicle at night or in dimly lit areas for safety and security.

ADDITIONAL INSTALLATION ACCESSORIES

CS-6600 DLM

Plug-in Door lock interface module for CS845/855RKE installation into Reverse Polarity or Aftermarket Motor door lock systems.

XX-402A / XX-402B / XX-402PB

External Relays for use with Power Trunk Release Power Door Locks, Starter Disable etc.

CS-6500 DLI

Plug-in Door Lock pulse inverter for CS-845RKE installation into vehicles with Positive Door lock systems.

XX-SRS / XX-DRS

Pre-wired plastic relay sockets for single or dual relay installation

CS-845 RKE

BLUE: OVERRIDE
RED: LED

- GREEN ● (-) LOCK OUTPUT
- RED ● +12V FOR RELAYS
- BLUE ● (-) UNLOCK OUTPUT

